

OPERATING INSTRUCTIONS

BLOW TORCH

- NOTE:** 1. The Butane Blow Torch does not contain any butane gas when purchased. Follow the gas filling instructions to make it operational.
2. Use only high quality BUTANE FUEL.

1. GAS FILLING AND REFILLING

- 1). Make sure Torch is turned off before refilling.
- 2). Shaking gas container a few times to warm the fuel up. Insert the container nozzle vertically down into the Filling Valve. For best results, with pumping action. (FIG.1)
- 3). When the gas starts to overflow, remove container nozzle from Filling Valve to stop the filling operation. Complete refilling takes approximately 40 to 50 seconds.
- 4). Allow a few minutes for the gas to stabilize.

If gas still escapes from Filling Valve after the refilling is completed, insert the container nozzle into the Filling Valve again. Move the nozzle slightly up and down, then remove from the valve until the leakage problem has been resolved.

2. IGNITION

- 1). Turn the SAFETY LOCK to up position.
- 2). Make the notch on the AIR CONTROL SLEEVE coincides with the hole on the body.
- 3). Turn the GAS CONTROL KNOB slowly to left. You will hear the gas escaping.
- 4). Press the IGNITION BUTTON.(FIG.2) The Torch will be ignited instantly.

3. SHUT-OFF

Turn the GAS CONTROL KNOB to the right (clockwise) to turn off the flame.

4. FLAME LENGTH ADJUSTMENT

Turn the GAS CONTROL KNOB to the left to increase the flame and to the right to decrease, or extinguish the flame.

5. THERMAL POWER CONTROL

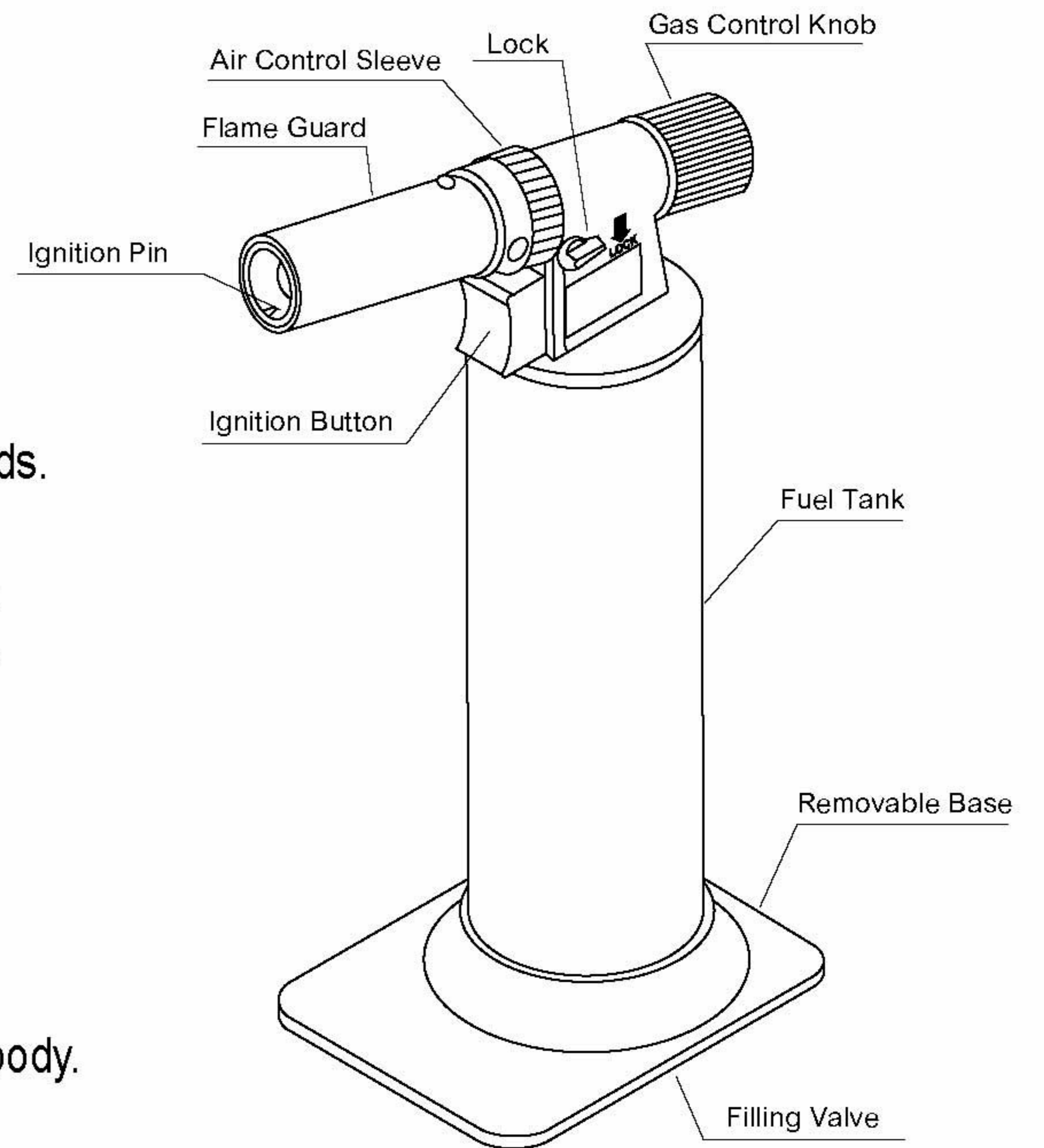
Turn the AIR CONTROL SLEEVE either to the left or right to obtain the required temperature. (FIG.3)

NOTE: The highest temperature attainable will be approximately 1,300°C.

CAUTION:

1. Do not touch the flame guard when hot.
2. Keep out of reach of children.
3. Butane gas is highly flammable, please handle with care.
4. Always point gas torch away from eyes and body when igniting or operating.
5. Make sure the GAS CONTROL KNOB is firmly closed, the flame is completely extinguished and the SAFETY LOCK is locked after use.
6. Do not drop, puncture, incinerate, or expose to direct sunlight, or temperatures above 50°C.

RK2121 Standard Flame



RK2122 Cyclone Flame

